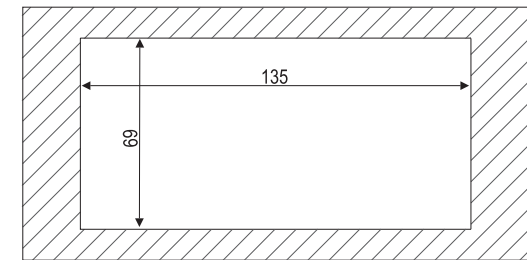
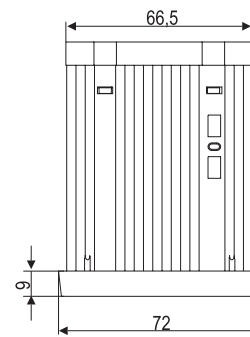
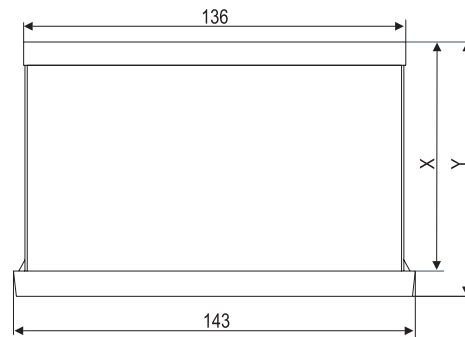
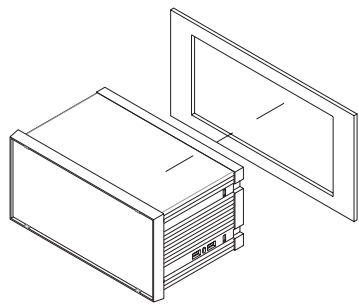


M (144x72 - 72x144) - PANEL MOUNTING



XCM X = 81 Y = 91

XF X = 68 Y = 77